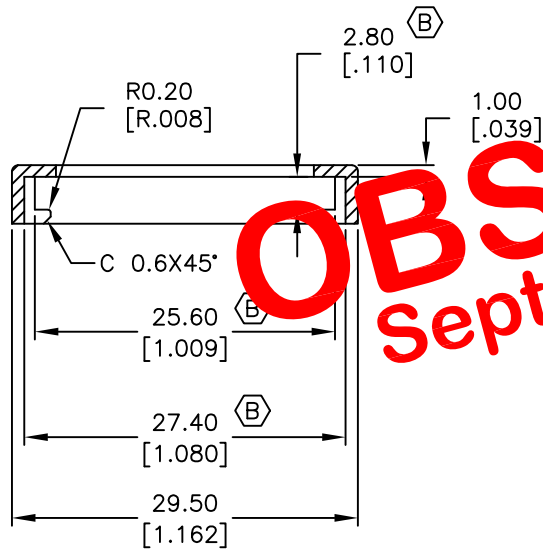
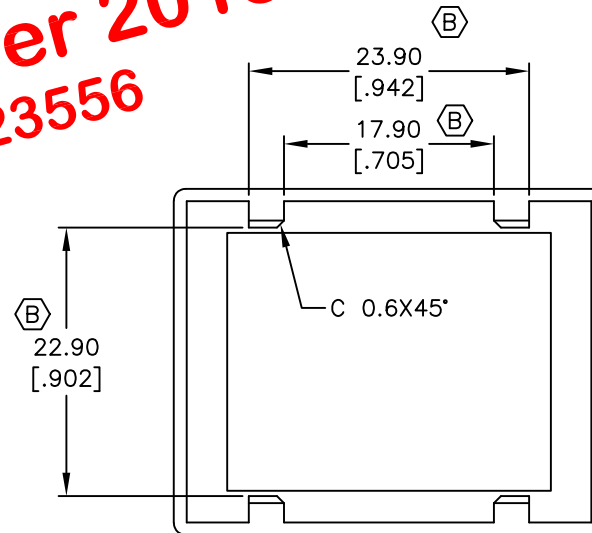
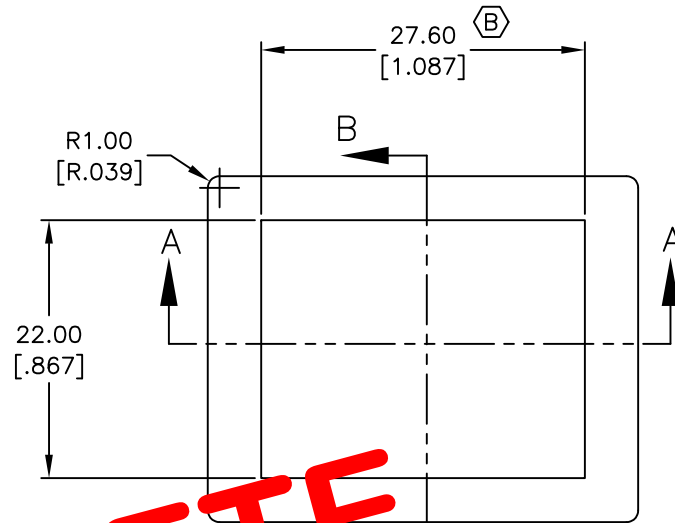


SECTION A-A



SECTION B-B



**OBSOLETE**  
 September 2018  
 PCR 23556

NOTES:

1. ALL DIMENSIONS IN MM
2. GENERAL TOLERANCE: X.X=±0.4  
 X.XX=±0.25

**E-SWITCH®**

TITLE					R5 SEAL FRAME				
SCALE	DATE	DR	DWG	REV					
1.5:1	4/15/04	AR	M050901	B					

B	19512	TOOK OFF TOLERANCES	12/09/10	BGL
A	13923	RELEASED FOR PRODUCTION	4/15/04	AR
REV.	ECN No.	DESCRIPTION	DATE	CHKD

THE INFORMATION CONTAINED IN THIS DOCUMENT IS PROPRIETARY TO E-SWITCH AND IS NOT TO BE COPIED OR TRANSFERRED